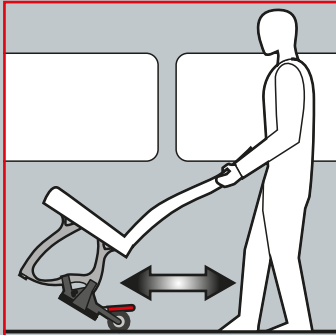
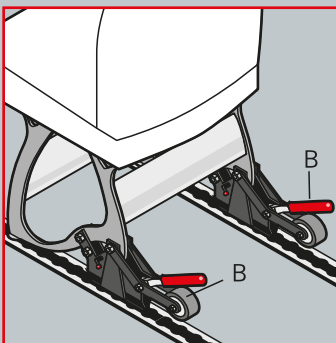


To be operated by trained personnel only.

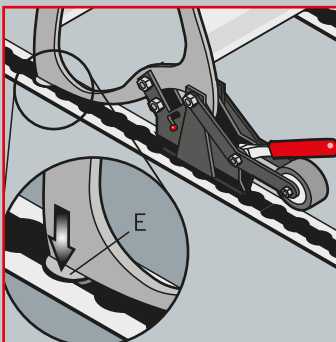
Smart Legs with Wheelie Wheels - installing a seat



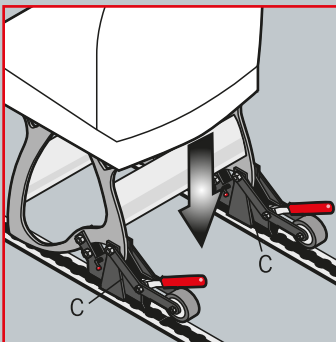
Transport seats by tilting the seats back to utilise the Wheelie Wheels.



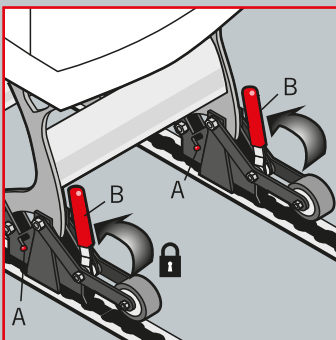
Rest on tracking and ensure handles B are unlocked by pointing away from the chair as shown next to the left. If not please unlock them using the instructions in the next section on the right.



Use the round spigot E at the front of the seat legs (if available) to insert into the floor tracking holes.

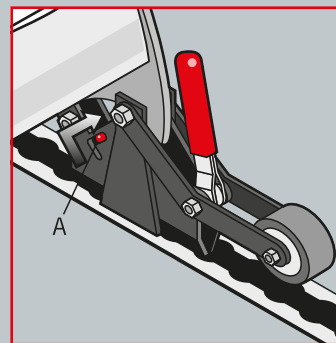


Lower the rest of the seat into the tracking. The Seat Fitting C should now sit in line with the tracking.

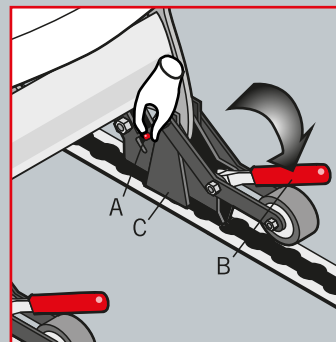


Close handles B to lock the chair in its new position. The safety bolts (A) should rest in their lower position.

Smart Legs with Wheelie Wheels
unlocking seat for removal

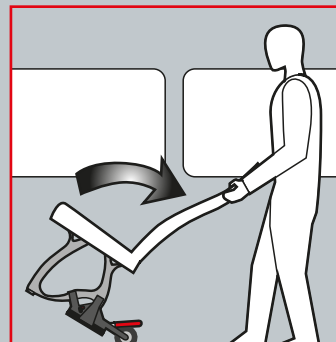


Lift safety bolt A to its upper position.



While holding safety bolt A in its upper position pull handles B away from the Fitting C to unlock. Repeat on other leg.

The seat is now unlocked and ready to be removed.



Using the wheels as a pivot point, lean the seat backwards out of the floor tracking. The seat should now be free of the tracking and can now be moved.

Note: When not in the floor tracking leave the Fitting with Wheelie Wheels in the unlocked position.